

## DIFFERENTIAL PRESSURE GAUGE

### Special Features:

- Ranges as low as 0-30 Pa available
- Mounts in Industry Standard Holes
- Accuracy  $\pm 2\%$
- Die Cast Aluminium Housing
- Indicates Negative, Positive or Differential Pressure
- Frictionless Movement
- Resists Shocks, Vibration and Over Pressure
- OEM Branding Options Available



### Applications:

H2000 Differential Pressure Gauge Is The Industry Standard To Measure Fan And Blower Pressures, Filter Resistance, Air Velocity, Furnace Draft, Pressure Drop Across Orifice Plates, Filter Status, Room Pressure, Duct Static Pressure, Paint Booths, Dust Collectors And Cabinet Purging Along With Many Others.

### Performance Specifications:

Pressure Ranges	: Various Ranges from 30Pa to 80 kPa
Pressure Limits	: -20"Hg to 15 PSI (Available upto 25 PSI for Higher Ranges)
Media Compatability	: Air and Non-Combustible, Compatible Gases
Accuracy	: $\pm 2\%$ of F.S (For Ranges over 0.5"wc) : $\pm 3\%$ of F.S (For Ranges > 0.25"wc, and $\leq 0.5"$ ) : $\pm 4\%$ of F.S (For Ranges $\leq 0.25$ "wc)
Temperature Ranges	: -20 0F to 140 0F (-7 0C to 60 0C)
Mounting Orientation	: Diaphragm in Vertical Position
Size	: 4" (101.6mm) diameter dial face
Housing Material	: Die Cast Aluminium Case with Acrylic Cover
Process Connection	: 1/8" NPT (F)
Weight	: 520 grams
Accessories	: Two 1/8" NPT Barbed Fittings With Plugs And Three Mounting Screws
Serial Number	: Unique serial number Laser marked as dial
Over Pressure Protection	
Agency Approval	: CE



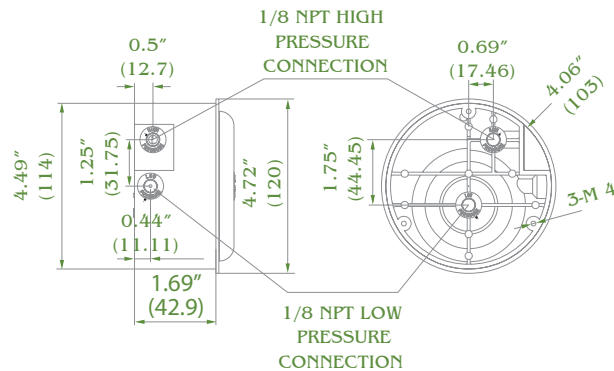
## DIFFERENTIAL PRESSURE GAUGE

### Standard Ranges:

MODEL	RANGE (INWC)	MODEL	RANGE (PA/KPA)	MODEL	RANGE (MMWC)
H2000-00	0-0.25"	H2000-30PA	0-30PA	H2000-3MM	0-3MM
H2000-0	0-0.5"	H2000-60PA	0-60PA	H2000-6MM	0-6MM
H2001	0-1"	H2000-150	0-125PA	H2000-10MM	0-10MM
H2002	0-2"	H2000-250	0-250PA	H2000-25MM	0-25MM
H2003	0-3"	H2000-500PA	0-500PA	H2000-50MM	0-50MM
H2004	0-4"	H2000-750PA	0-750PA	H2000-100MM	0-100MM
H2005	0-5"	H2000-1KPA	0-1KPA	H2000-150MM	0-150MM
H2006	0-6"	H2000-2KPA	0-2KPA	H2000-250MM	0-250MM
H2008	0-8"	H2300-60PA	30-0-30PA	H2000-500MM	0-500MM
H2010	0-10"	H2300-100PA	50-0-50PA	H2300-6MM	3-0-3MM
H2300-0	0.25-0-0.25	H2300-120PA	60-0-60PA	H2300-10MM	5-0-5MM
H2301	0.5-0-0.5	H2300-250PA	125-0-125PA	H2300-20MM	10-0-10MM
H2302	1-0-1"	H2300-500PA	250-0-250PA	H2300-50MM	25-0-25MM
H2304	2-0-2"	H2300-1KPA	500-0-500PA	H2300-100MM	50-0-50MM

\* Non Standard Ranges And Various Engineering Units Available On Request

### Dimensions:



### Mounting Details :

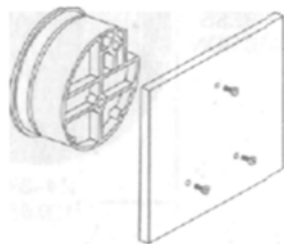


Fig 1. Surface Mounting

Fig 2. Flush Mounting

