

HIGH PRECISION MELT PRESSURE TRANSMITTER

Special Features:

- Low Cost OEM
- Wide Temperature Range
- Crevice Free Stainless Steel Construction
- No Seals or O-Rings
- Compact Version
- Surge Protection, Reverse Voltage Protection to 36V DC



Applications:

M1200 Can Be Used In Various Plastic Estrusion Line For Pressure Measuring And Control, Such As Chemical Fibre Manufacturing Equipment, Plastic Rubber Machine, Polyester Equipment And Petrochemical.

Performance Specifications:

Pressure Range	: 35 Bar ~ 1500 Bar
Accuracy	: ±0.25%
Operating Temp.	: - 40°C to 400°C
Compensated Temp.	: - 20°C to 350°C
Proof Pressre	: 2X
Burst Pressure	: 5X
Electrical Connection	: 5 Pin Bendix Connector with Mating Plug and Cable
Input Voltage	: 10 VDC ; 24 VDC
Output	: 3.33mV/V , 2mV/V ; 4-20 mA , 0-10V , 0-5V

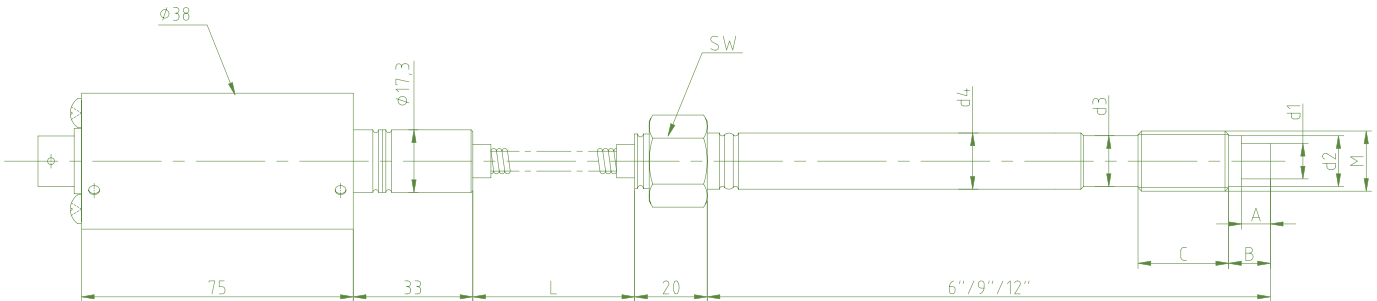
Wetted Parts	: AISI 316L SS
Diaphragm	: AISI 316L SS
Case	: AISI 316L SS
Connector	: Nylon 6/6
Media Compatibility	: All Materials compatible with AISI 316L SS
Protection	: IP 65

Standard Ranges:

RANGE (PSI)	RANGE (BAR)
0/500	0/35
0/1000	0/70
0/1500	0/100
0/2000	0/150
0/3000	0/200
0/3750	0/250
0/4500	0/300
0/5000	0/350
0/6000	0/400
0/7500	0/500
0/9000	0/600
0/10000	0/700
0/15000	0/1000
0/20000	0/1500

HIGH PRECISION MELT PRESSURE TRANSMITTER

⚙️ Dimensions:



M	d1	d2	d3	d4	A	B	C	SW	6"	9"	12"	L
M18x15	φ9.8	φ15		φ15.5	10	15	40	22	152	230	305	460
M22x1.5	φ15.6	φ19.5		φ19.5	10	15.5	25		760			
G3/8	φ9.8	φ14	φ14	φ15.5	7.9	11.5	25					

HOW TO ORDER

⚙️ Basic Model:

2	4 - 20mA	3	1 to 5V	4	0 to 10V	M12
5	0 to 5V	7	3.33 mV/V	8	2mV/V	2

⚙️ Process Connection:

6	1/2" - 20 UNF	7	M18 x 1.5	6
---	---------------	---	-----------	---

⚙️ Stem Length:

Please Specify the rigid stem length in inches 6

⚙️ Capillary Length:

Please Specify the flexible capillary length in inches 18

⚙️ Pressure Range:

Please Refer to the range table 350

⚙️ Units:

B Bar B
P Psi

⚙️ Pressure Type:

G Gauge Pressure G

Ordering Example : M12-2-6-6-18-350-B-G

HIGH PRECISION MELT PRESSURE TRANSMITTER

Connections:

Output	Function	Color	5PIN		
0/5V, 0/10V; 2.0mV/V, 3.33mV/0056	Signal +	Blue	1		
	Excitation +	Red	2		
	Signal -	White	3		
	Excitation -	Yellow	4		
	Calibration	Black	5		
Output	Function	Color	5PIN		
4/20mA	Signal+	Blue	1		
	Excitation+	Red	2		
	Calibration	Yellow	4		
	Calibration	Black	5		
Output	Function	Color	6PIN		
0-5V;0-10V; 3.33mV/V	Signal +	Blue	A		
	Signal -	Green	B		
	Excitation +	Red	C		
	Excitation -	Yellow	D		
	Calibration	Brown	E		
	Calibration	Black	F		
Output	Function	Color	6PIN		
4-20mA	E+ / S+	Red	A		
	E- / S-	Blue	B		
	Calibration	Yellow	E		
	Calibration	Black	F		
Output	Function	Color	8PIN		
0-5V;0-10V; 3.33mV/V	Excitation +	Red	A		
	Signal +	Blue	B		
	Excitation -	Yellow	C		
	Signal -	Green/White	D		
	Calibration	Brown	E		
	Calibration	Black	F		
	Blank	--	G, H		
Output	Function	Color	8PIN		
4-20mA	E+ / S+	Red	A		
	E+ / S+	Blue	B		
	Calibration	Yellow	E		
	Calibration	Black	F		

Installation:

