

## HIGH PRECISION MELT PRESSURE TRANSMITTER

### Special Features:

- Low Cost OEM
- Wide Temperature Range
- Crevice Free Stainless Steel Construction
- No Seals or O-Rings
- Compact Version
- Surge Protection, Reverse Voltage Protection to 36V DC



### Applications:

MT1200 Can Be Used In Various Plastic Extrusion Line For Pressure Measuring And Control, Such As Chemical Fibre Manufacturing Equipment, Plastic Rubber Machine, Polyester Equipment And Petrochemical Applications.

### Performance Specifications:

Pressure Range	: 35 Bar ~ 1500 BarS
Accuracy	: ±0.25%
Operating Temp.	: - 40°C to 400°C
Compensated Temp.	: - 20°C to 350°C
Proof Pressre	: 2X
Burst Pressure	: 5X
Electrical Connection	: 5 Pin Bendix Connector with Mating Plug and Cable
Input Voltage	: 10 VDC ; 24 VDC
Pressure Output	: 3.33mV/V , 2mV/V ; 4-20 mA , 0-10V , 0-5V
Temperature Output	: J / K / E / Pt-100

---

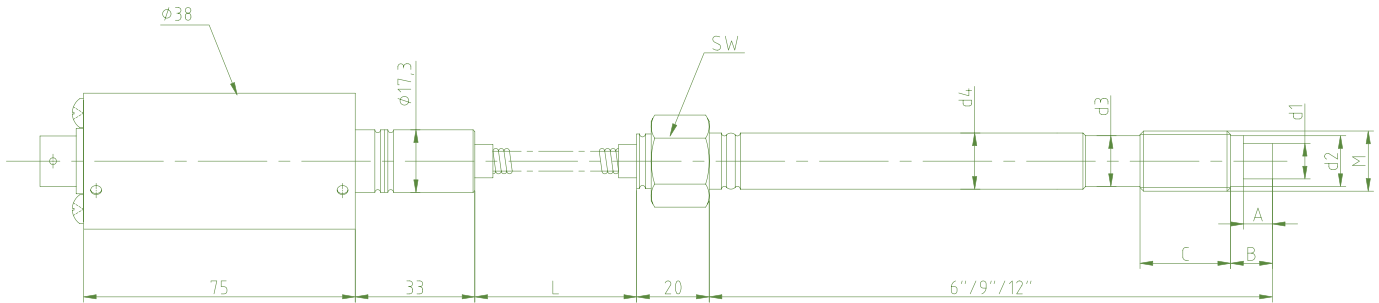
Wetted Parts	: AISI 316L SS
Diaphragm	: AISI 316L SS
Case	: AISI 316L SS
Connector	: Nylon 6/6
Media Compatibility	: All Materials compatible with AISI 316L SS
Protection	: IP 65

### Standard Ranges:

RANGE (PSI)	RANGE (BAR)
0/500	0/35
0/1000	0/70
0/1500	0/100
0/2000	0/150
0/3000	0/200
0/3750	0/250
0/4500	0/300
0/5000	0/350
0/6000	0/400
0/7500	0/500
0/9000	0/600
0/10000	0/700
0/15000	0/1000
0/20000	0/1500

## HIGH PRECISION MELT PRESSURE TRANSMITTER

### ⚙️ Dimensions:



M	d1	d2	d3	d4	A	B	C	SW	6"	9"	12"	L
M18x15	φ9.8	φ15		φ15.5	10	15	40	22	152	230	305	460 760
M22x1.5	φ15.6	φ19.5		φ19.5	10	15.5	25					
G3/8	φ9.8	φ14	φ14	φ15.5	7.9	11.5	25					

## HOW TO ORDER

### ⚙️ Basic Model:

2	4 - 20mA	3	1 to 5V	4	0 to 10V	MT12
5	0 to 5V	7	3.33 mV/V	8	2mV/V	2

### ⚙️ Process Connection:

6	1/2" - 20 UNF	7	M18 x 1.5	6
---	---------------	---	-----------	---

### ⚙️ Stem Length:

Please Specify the rigid stem length in inches

### ⚙️ Capillary Length:

Please Specify the flexible capillary length in inches

### ⚙️ Pressure Range:

Please Refer to the range table

### ⚙️ Units:

B	Bar Gauge	PG	Psi Gauge	BG
---	-----------	----	-----------	----

### ⚙️ Temperature Output:

J	J Type Thermocouple	K	K Type Thermocouple	K
E	E Type Thermocouple	R	PT-100	

Ordering Example : MT1226-6-18-350BG-K

## HIGH PRECISION MELT PRESSURE TRANSMITTER

### Connections:

Output	Function	Color	5PIN	
0/5V, 0/10V; 2.0mV/V, 3.33mV/0056	Signal +	Blue	1	
	Excitation +	Red	2	
	Signal -	White	3	
	Excitation -	Yellow	4	
	Calibration	Black	5	
Output	Function	Color	5PIN	
4/20mA	Signal+	Blue	1	
	Excitation+	Red	2	
	Calibration	Yellow	4	
	Calibration	Black	5	
	Output	Function	Color	6PIN
0-5V;0-10V; 3.33mV/V	Signal +	Blue	A	
	Signal -	Green	B	
	Excitation +	Red	C	
	Excitation -	Yellow	D	
	Calibration	Brown	E	
	Calibration	Black	F	
Output	Function	Color	6PIN	
4-20mA	E+ / S+	Red	A	
	E- / S-	Blue	B	
	Calibration	Yellow	E	
	Calibration	Black	F	
	Output	Function	Color	8PIN
0-5V;0-10V; 3.33mV/V	Excitation +	Red	A	
	Signal +	Blue	B	
	Excitation -	Yellow	C	
	Signal -	Green/White	D	
	Calibration	Brown	E	
	Calibration	Black	F	
	Blank	--	G, H	
Output	Function	Color	8PIN	
4-20mA	E+ / S+	Red	A	
	E+ / S+	Blue	B	
	Calibration	Yellow	E	
	Calibration	Black	F	

### Installation:

