

BOURDON TYPE UTILITY PRESSURE GAUGE

Special Features:

Economic Version
General Purpose Application
Accuracy upto $\pm 1.0\%$

Applications:

Mainly for Water / Air Application, Pharmaceutical Industries, petrochemical industries, Power, Cement, Sugar, Food, Beverages, Paper and Pulp Industries and Allied Process Industries



Specifications:

Standard Version: 40mm, 50mm, 63mm, 100mm, 150mm, 250mm

Accuracy	:	$\pm 1.6\%$ of F.S. for 100mm, 150mm and 250mm $\pm 2.0\%$ of F.S. for 50mm, 63mm $\pm 2.5\%$ of F.S. for 40mm
Ambient temperature	:	- 25°C to + 65°C
Process temperature	:	Max 180°C
Operating pressure	:	75% of the Scale Value
Over pressure limit	:	30% for Pressure Ranges upto 600 kg / cm ² 15% for Pressure Ranges above 600 kg / cm ²

Case	:	Mild Steel, Black powder coated
Ring	:	Mild Steel, Black powder coated
Bourdon	:	Copper Alloy
Socket	:	Copper Alloy
Movement	:	Copper Alloy
Joints	:	Silver Brazing / Alloy Brazing

Protection	:	IP 65
Dial	:	Aluminium, black graduation on white background
Pointer	:	Aluminium, black coloured Micrometer zero adjustable
Window	:	Sheet Glass
Blow off Disc	:	Neoprene
Gasket	:	Neoprene

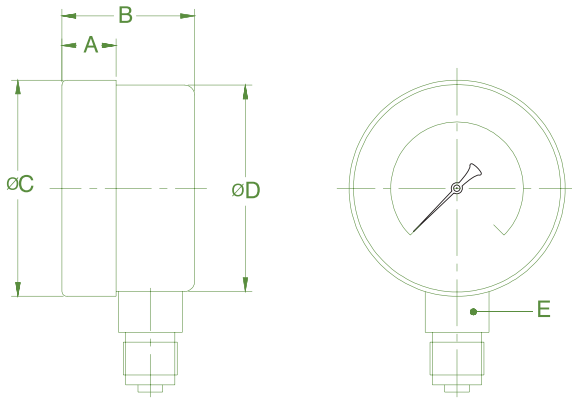
Glycerine Filled Version (Option LG)

Accuracy	:	$\pm 1.6\%$ of F.S. for 100mm, 150mm and 250mm $\pm 2.0\%$ of F.S. for 50, 63mm $\pm 2.5\%$ of F.S. for 40mm
Ambient Temperature	:	Maximum 65°C
Process Temperature	:	+15°C / 65°C
Window	:	Plexi Glass
Dampening Liquids	:	Glycerine 98% (others available as option)
Other Features	:	Refer Specification of Standard Version

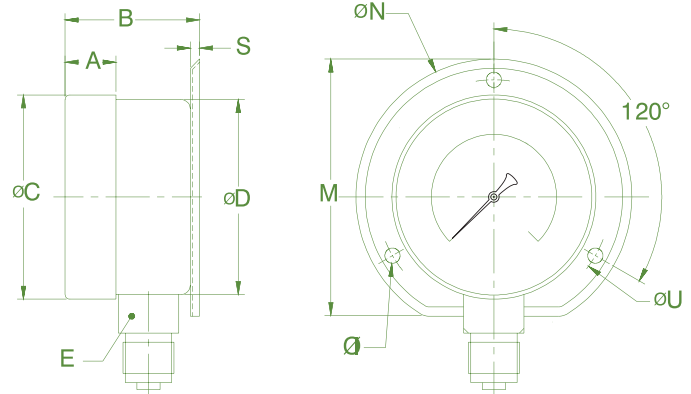
BOURDON TYPE UTILITY PRESSURE GAUGE

DIMENSIONS - STANDARD VERSION

⚙️ Type 1



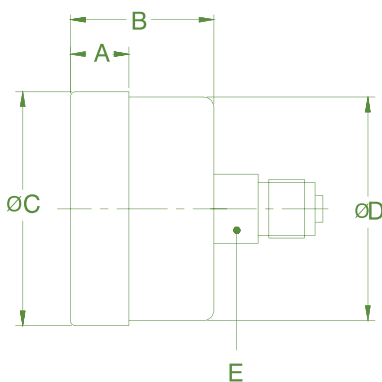
⚙️ Type 2



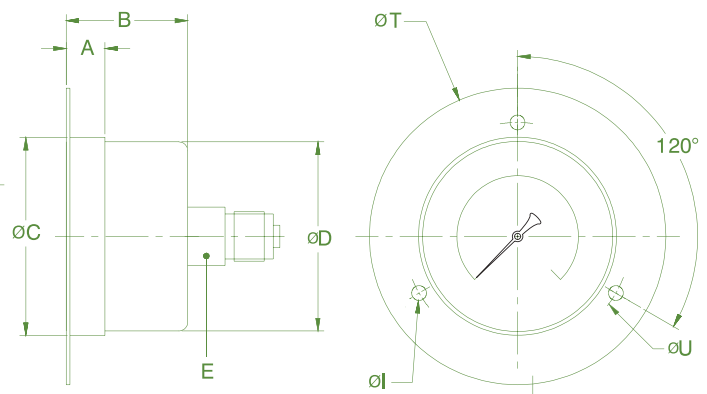
NS	A	B	øC	øD	E
40	10	26	44	42	12
50	10	29	52	52	14
63	12	29	62	62	14
100	13	35	97	97	17
150	16	43	155	154	17
250	38	51	252	249	22

NS	A	B	øC	øD	E	M	S	øN	øU	øI
63	12	30	63	62	14	80	5	88	76	5
100	13	36	99	97	17	117	1.2	132	118	6
150	16	48	155	154	17	181	7	196	-	-
250	38	55	252	249	22	280	8	289	-	-

⚙️ Type 4



⚙️ Type 5



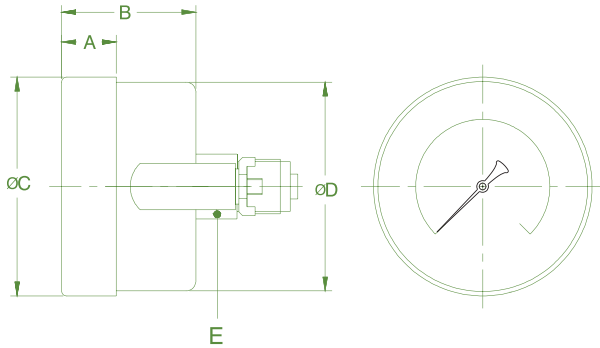
NS	A	B	øC	øD	E
40	7	24	42	41	11
50	11	29	54	52	14
63	12	30	67	66	14
100	13	36	99	97	17
150	16	43	155	154	17
250	38	55	252	249	22

NS	A	B	øC	øD	E	øT	øU	øI
63	12	31	63	62	14	90	76	4
100	14	33	99	97	17	134	117	4
150	16	37	155	154	17	184	170	5

Notes : • Drawings are not to scale. • All Dimensions are in mm.

BOURDON TYPE UTILITY PRESSURE GAUGE

⚙️ Type 8



NS	A	B	∅C	∅D	E
40	7	24	42	41	11
50	11	29	54	52	14
63	12	30	67	66	14
100	13	36	99	97	17
150	16	43	155	154	17

Notes : • Drawings are not to scale. • All Dimensions are in mm.

RANGE TABLE

Note : Omicron offers National / International Scales like kPa, MPa, bar, PSI, kg/cm² & Dual Scale like kPa with PSI, kPa with bar, bar with PSI or Equivalent scales as per the requirement can be provided on request. Following are the example tables for kg/cm² & PSI scales:

⚙️ Pressure:

SINGLE SCALE (kg/cm² or bar)

RANGE	RANGE	RANGE	RANGE	RANGE
0/0.6	0/4	0/25	0/160	0/1000
0/1	0/6	0/40	0/250	0/1400
0/1.6	0/10	0/60	0/400	0/1600
0/2.5	0/16	0/100	0/600	

DUAL SCALE (PSI with kg/cm²) or PSI with bar

RANGE (PSI)	RANGE (kg/cm ²)	RANGE (PSI)	RANGE (kg/cm ²)	RANGE (PSI)	RANGE (kg/cm ²)
0/15	0/1	0/400	0/28	0/4000	0/280
0/30	0/2	0/500	0/35	0/5000	0/350
0/60	0/4	0/600	0/40	0/6000	0/400
0/100	0/7	0/1000	0/70	0/10000	0/700
0/150	0/10	0/1500	0/100	0/15000	0/1000
0/200	0/14	0/2000	0/140	0/20000	0/1400
0/300	0/20	0/3000	0/200	0/23000	0/1600

* Note: For ranges above 1600kg/cm², please consult factory.

⚙️ Vacuum & Compound:

DUAL SCALE (inHg with PSI & mmHg with kg/cm²)

RANGE (inHg with PSI)	RANGE (mmHg with kg/cm ²)	RANGE (inHg with PSI)	RANGE (mmHg with kg/cm ²)	RANGE (inHg with PSI)	RANGE (mmHg with kg/cm ²)
- 30/0	- 760/0	- 30/60	- 760/4	- 30/200	- 760/14
- 30/15	- 760/1	- 30/100	- 760/7	- 30/300	- 760/21
- 30/30	- 760/2	- 30/150	- 760/10	- 30/350	- 760/24

SINGLE SCALE (kg/cm²)

RANGE	RANGE	RANGE	RANGE
- 1/0	- 1/1.5	- 1/5	- 1/15
- 1/0.6	- 1/3	- 1/9	- 1/24

BOURDON TYPE UTILITY PRESSURE GAUGE

HOW TO ORDER

Basic Model:

PGMB

CODE	X	A	B	C	D	E
Nominal Size(mm)	40	50	63	100	150	250

C

Type Of Mounting:

2

1. Direct Bottom Entry
2. Wall / Surface / Projection Mounting With Bottom Entry
4. Direct Centre Back Entry
5. Flush Panel Back Entry with Front Flange
8. Back Entry with Mounting Bracket

(Other types of mounting can be provided on request.)

Gauge Connection:

10N

03B	1/8" BSP (M)	06BT	1/4" BSPT (M)	15N	1/2" NPT (M) STANDARD	M16	M 16 X 1.5 (M)
03N	1/8" NPT (M)	10B	3/8" BSP (M) STANDARD	15B	1/2" BSP (M) STANDARD	M20	M 20 X 1.5 (M)
06N	1/4" BSP (M)	10BT	3/8" BSPT (M)	15BT	1/2" BSPT (M)		
06N	1/4" NPT (M)	10N	3/8" NPT (M)	M12	M 12 X 1 (M)		

Note : Connections like PT/PF/Flaired /UNF/G/R etc.can be provided on request.
Non standard connections can be provided through adaptors.

Range:

0 - 10
kg/cm²

Refer tables

Options:

RA

SM	AISI 304 SS Movement	GD	Glow In The Dark Design Dial
SB	AISI 316 Bourdon	DD	Custom Designed Dial
SD	Internal dampening Screw	LM	Dampening Liquid Mineral Liquid Filled
GP	Plexi Glass	LF	Dampening Liquid Flurolube Filled
GS	Shatterproof / Safety Glass	LG	Dampening Liquid Glycerine Filled
GT	Toughened Glass	LS	Dampening Liquid Silicon Oil Filled*
RF	Freon Range (With Temperature Scale)	FP	Five Point Factory Calibration Certificate
RA	Ammonia Range (With Temperature Scale)	OR	Over Range Protection 150% Of F.S.
RO	Oxygen Service (Without Option Dampening Liquid)		

Ordering Example:
PGMB-C2-10N-0/10kgcm2-RA

Note : Due to continuous improvement, the specification may vary from time to time.
For non standard products/optional items, please contact factory for delivery and minimum quantity of order.