

Accessories for Differential Pressure Gauge

Static Pressure Measurement:

This kit includes 2 Pressure Sensor, Silicon Tube and screw for Mounting, These sensors are for use with Manometers, DP Gauges, Differential Pressure Switches and other Controllers to pick up or sense static pressure drop across air filters and cooling coils, blower input and discharge pressures, etc.



Bullet Probe Sensor:

This bullet probe sensor is installed on front cover plate of DP Gauge for the pressure measurement .It is used to protect the gauge from contamination.



Differential Pressure Gauge Accessories:

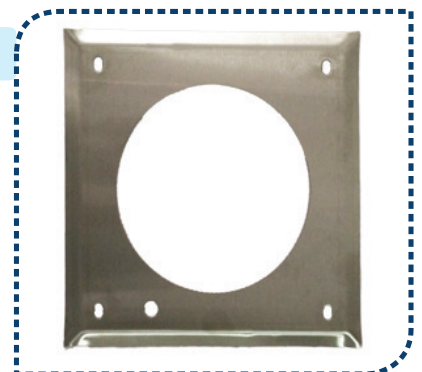
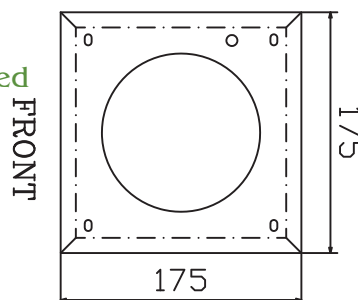
These Accessories are exclusively use for mounting of DP Gauges on SS plate this accessory comes as a standard accessory along with Omicron DP Gauge and it includes the following.

1. Three Mounting Screws
2. Two 1/8" NPT Barbed Fitting
3. Grab Screw
4. Four Plastic Holder



Differential Pressure Gauge Cover Plate:

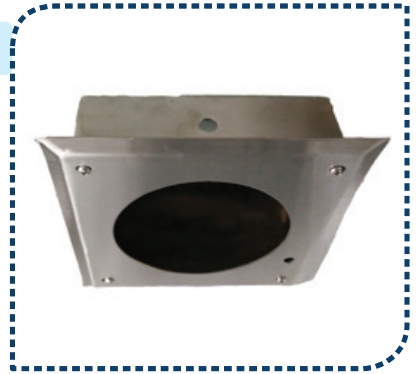
SS 304 front cover plate is used for Mounting of DP Gauge, it can also be used for Mounting of gauges on Air Humidity Units



Accessories for Differential Pressure Gauge

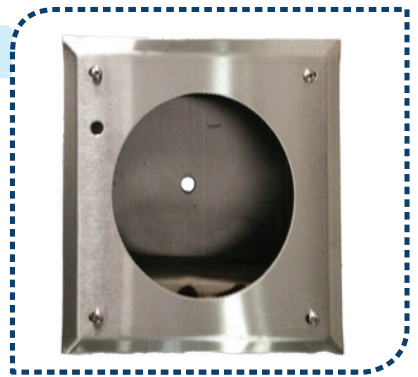
⚙️ All SS Enclosure 2" Depth:

- Dimension - 2"x 6"x 6"
- SS box with SS Plate is used for the model series H2000 (DP Gauge). This kit is simple and quickly mountable.
- 2" Depth SS box are extensively used for 50mm panel.
- This kit is ideal for mounting DP Gauge on panels directly.



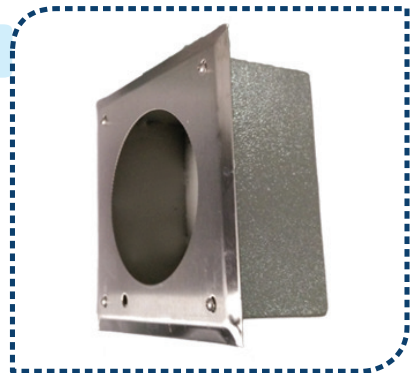
⚙️ All SS Enclosure 3" Depth:

- Dimension - 3"x 6"x 6"
- SS box with SS Plate is used for the model series H2000 (DP Gauge). This kit is simple and quickly mountable.
- 3" Depth SS box are extensively used for 80mm panel.
- This kit is ideal for mounting DP Gauge on panel directly.



⚙️ Epoxy Coated Enclosure With SS Cover Plate:

- Dimension - 3"x 6"x 6"
- SS box with SS Plate is used for the model series H2000 (DP Gauge). This kit is simple and quickly mountable.
- 3" Depth MS box are extensively used for 80mm panel.
- This kit is ideal for mounting DP Gauge on panel directly.



⚙️ Pinch Free Silicon Tube:

This Soft, Flexible tubing is odorless, tasteless and inert and is suitable for air, water, food and beverage application. It is made of silicon rubber which is non reactive, flexible and resistance to high temp. Standard barbed fittings are recommended for most application.



Accessories for Differential Pressure Gauge

⚙️ Dimensions:

